

## MR16 with Power LED's

### Power-LED for Low Voltage Spot Light

Powerful MR16 based PowerLED's for an easy replacement of halogen lamps. The lamp is available in two different white colours depends on your application.

**Benefits:**

- High luminance
- Small size and easy replacement of halogen lamps
- Low power consumption
- Long lifetime
- Wide input voltage range

**Application:**

- Reading Light
- Light Source for Architecture
- Cabinet Lighting
- Home illumination
- Emergency Light

**wide-angle**  
100°



**narrow-angle**  
25°



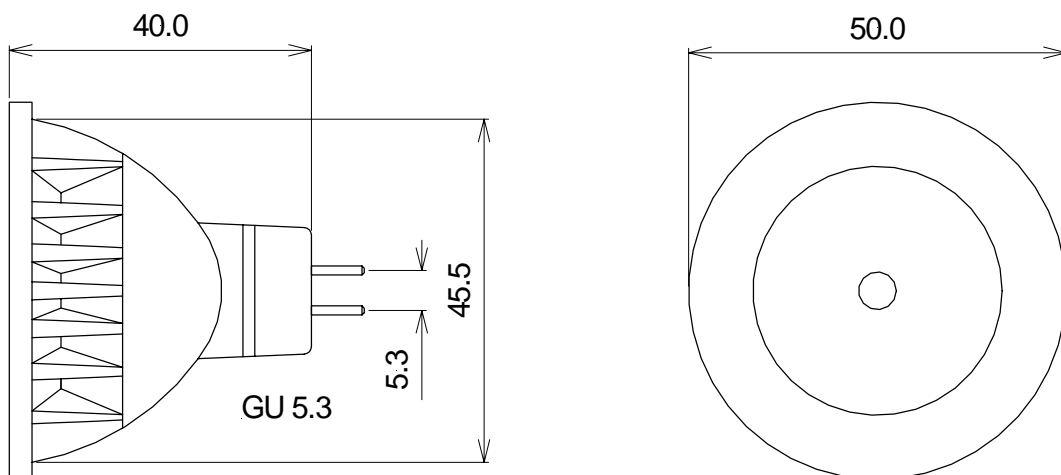
**Specifications:**

Part-Number	Colour	Colour Temperature	Intensity	Power	Angle
MR16-W11025	white	5000°-6000°K	25lm	1W	25°
MR16-W11100	white	5000°-6000°K	25lm	1W	100°
MR16-N11025	warmwhite	3000°-3500°K	25lm	1W	25°
MR16-N11100	warmwhite	3000°-3500°K	25lm	1W	100°

MR16-W31025	white	5000°-6000°K	80lm	3W	25°
MR16-W31100	white	5000°-6000°K	80lm	3W	100°
MR16-N31025	warmwhite	3000°-3500°K	80lm	3W	25°
MR16-N31100	warmwhite	3000°-3500°K	80lm	3W	100°

Forward Voltage: 6V – 24V AC/DC  
 Operating Temperature: -40°C ~+85°C  
 Housing: pure aluminium for heat-sink  
 Dimensions: 51 x 51 mm  
 Alimentation: Constant current

**Technical Drawing**



1. All specifications according to information from our manufacturers, without additional guarantee on our part
2. All dimensions are in millimetres
3. Tolerance is  $\pm 0.2$ mm unless otherwise specified
4. Specifications are subject to change without notice